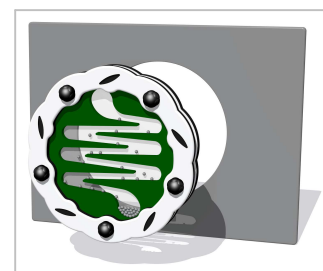


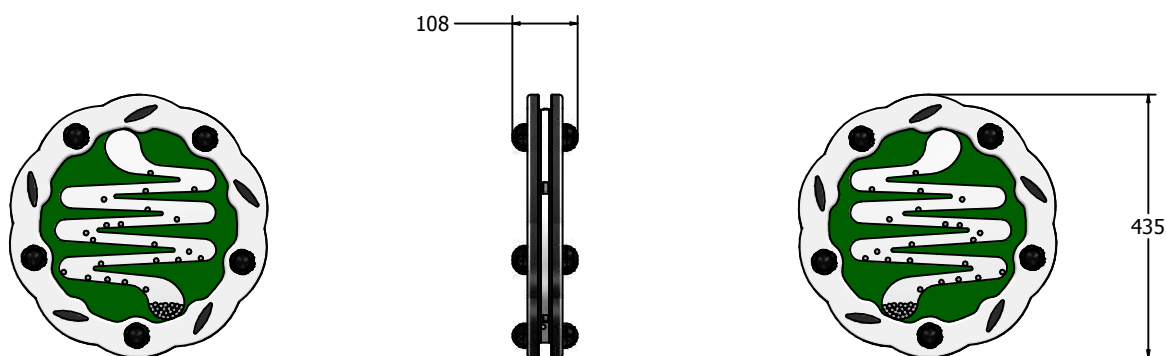
Product Information

FITWISTIN-B - Twist Bearing Insert



Insert can be easily attached to your own panel

- Supplied as insert only
- Easy assembly to your own panel (maximum thickness of 19mm)
- Designed to British & European Standard BS EN 1176



FITWISTIN-B

	FITWISTIN-B
Age Range:	2+ Years
Largest Part:	390x84
Total Weight:	5Kg

Inspection Scheduling	Inspection Frequency
Visual	Every Month
Functionality	Every Month
Comprehensive	Every 6 Months

Material: **Design Panel** - High Density Polyethylene (HDPE) with orange peel texture finish, available in 12, 15 & 19mm two colour HDPE

Colour Choices: **Design Panel** - Broad selection available, visit the website below for further details