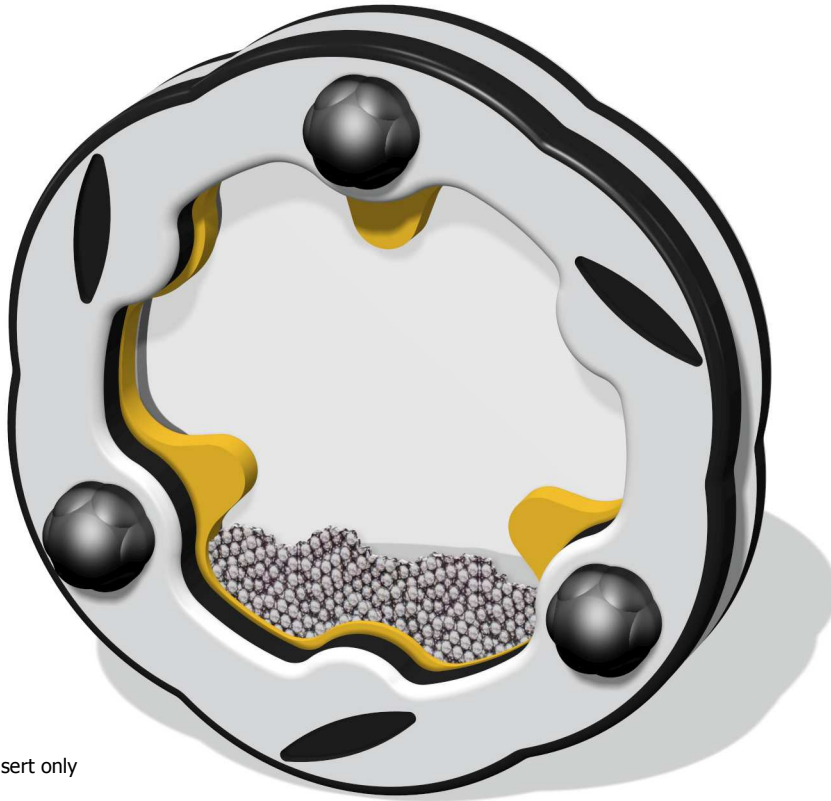
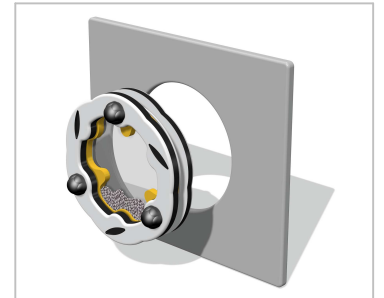


Product Information

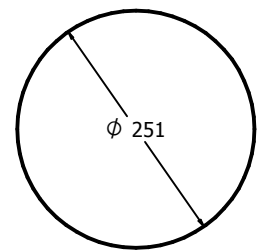
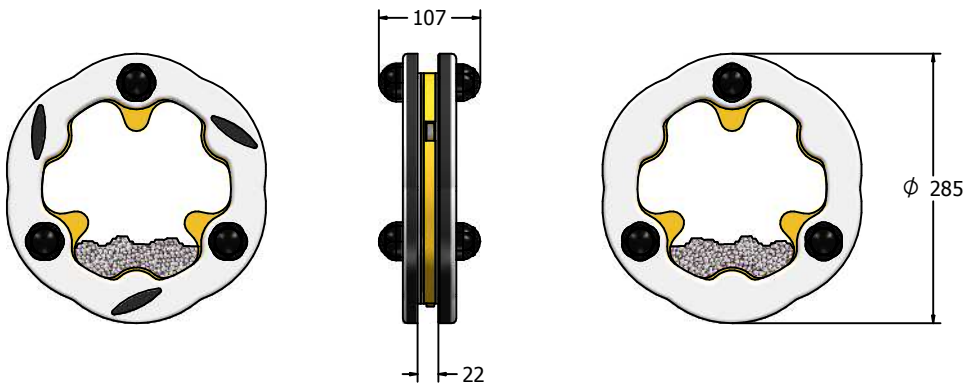
FITUMBLESMIN - Mini Tumble Ball Insert



- Supplied as insert only
- Easy assembly to your own panel (maximum thickness of 19mm)
- Designed to British & European Standard BS EN 1176



Insert can be easily attached to your own panel



Cutout required in host panel

Age Range: 2+ Years
Largest Part: $\phi 285 \times 107\text{mm}$
Heaviest Part: Approx. 3Kg
Total Weight: Approx. 3Kg
Surfacing : N/A

Inspection Schedule	Inspection Frequency
Visual	Every Month
Functionality	Every Month
Comprehensive	Every 6 Months

Material: **Design Panel** - Two Colour High Density Polyethylene (HDPE) with orange peel texture finish

Colour Choices: **Design Panel** - Broad selection available, visit the website below for further details